

**JACKSON HYDRAULIC "LUMBER HARVESTER" SAWMILL
GENERAL SPECIFICATIONS**

Model Number	RMBH-30	RMBH-40	RMBH-40 (L)
Size (Set-Up)	8 ft. x 36 ft. (2.44 x 10.98m)	10 ft. x 36 ft. (3.05 x 10.98m)	10 ft. x 42 ft. (3.05 x 13.80m)
Size (Transit)	ALL — 8 ft. x 30 ft. (2.44 x 9.1m)		
Max. Saw Size	ALL — 60 in. (152.4cm)		
Weight	7,000 lbs. (3175kg)	9,400 lbs. (4264kg)	10,400 lbs. (4717kg)
*Max. Size Log Sawn	40 in. x 24 ft. (102cm x 7.3m)	50 in. x 24 ft. (127cm x 7.3m)	50 in. x 30 ft. (127cm x 9.1m)

CARRIAGE SPECIFICATIONS

Size	3 ft. 9 in. x 17 ft. 3 in. (114.3cm x 5.26m)	4 ft. 7 in. x 17 ft. 3 in. (129.5cm x 5.26m)	4 ft. 7 in. x 20 ft. 0 in. (129.5cm x 6.1m)
No. of Headblocks	5	5	7
Headblock Opening	30 in. (76.2cm)	40 in. (101.6cm)	40 in. (101.6cm)
No. of Dogs	ALL — 2 Hydraulic Bite Type		

FRAME SPECIFICATIONS

Frame	HEAVY DUTY ALL STEEL TUBULAR		
Lumber Take-Away	ALL — 18 in. x 10 ft. Belt (55.7cm x 3.04m)		
Leveling Jack	10	11	13
Arbor	2 $\frac{1}{8}$ in. x 48 in. (61.9mm x 121.9cm)	2 $\frac{1}{8}$ in. x 72 in. (61.9mm x 182.9cm)	2 $\frac{1}{8}$ in. x 72 in. (61.9mm x 182.9cm)
Collars	ALL — dia. 6 in. (15.24cm), Thickness 2 in. (5.08cm)		
Axle	Single	Tandem	Tandem
Brakes		Elect.	Elect.
Guide Rail	ALL STEEL PERMANENTLY MOUNTED		

BASIC HYDRAULIC SYSTEM

Main Pump (Double)	ALL — 21 gpm @ 1500 psi and 8 gpm @ 1250 psi		
Auxiliary Pump	ALL — 8 gpm @ 1250 psi		
Reservoir (Self Cooling)	37 gal. (140 liters)	74 gal. (280 liters)	74 gal. (280 liters)
Oil Filter		ALL — 10 Micron	
Fittings	ALL REUSABLE		

HYDRAULIC FEEDWORKS

Motor	ALL — 30 h.p.
Cable	ALL — $\frac{3}{8}$ in. (9.5mm)
Drum	ALL — 12 in. (30.48cm)
Cable Sheaves	ALL — 10 in. (25.4cm)

HYDRAULIC NETWORKS

Receding Motor	BI-DIRECTIONAL
Selection Stops	ALL — 5

*For Max. Efficiency, Logs 12 in. (30.48cm) to 36 in. (91.44cm) Dia. and 8 ft. (2.44m) to 18 ft. (5.48m) Long are Recommended.

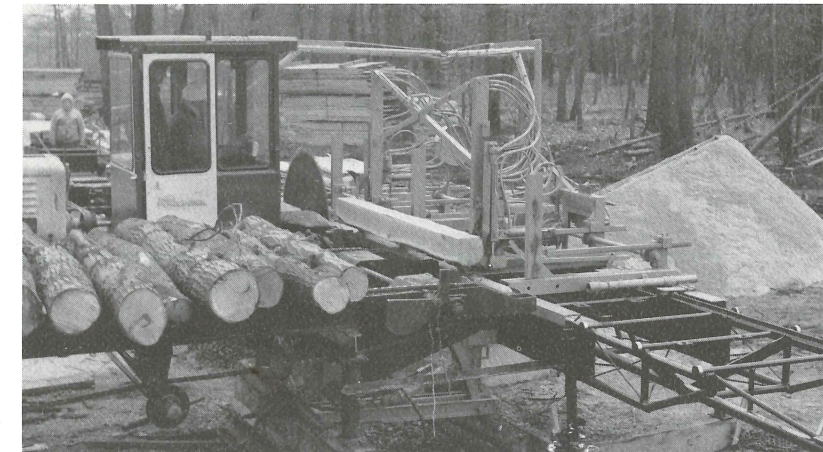
Jackson
LUMBER HARVESTER
COMPANY, INCORPORATED

GENERAL OFFICES AND PLANT — MONDOVI, WISCONSIN, U.S.A.

Introducing The . . .

Jackson
LUMBER HARVESTER

**HYDRAULIC
PORTABLE SAWMILL**



The Hydraulic Lumber Harvester is a unique portable machine. It is designed to transport to a logging site for total or partial processing of logs into lumber.

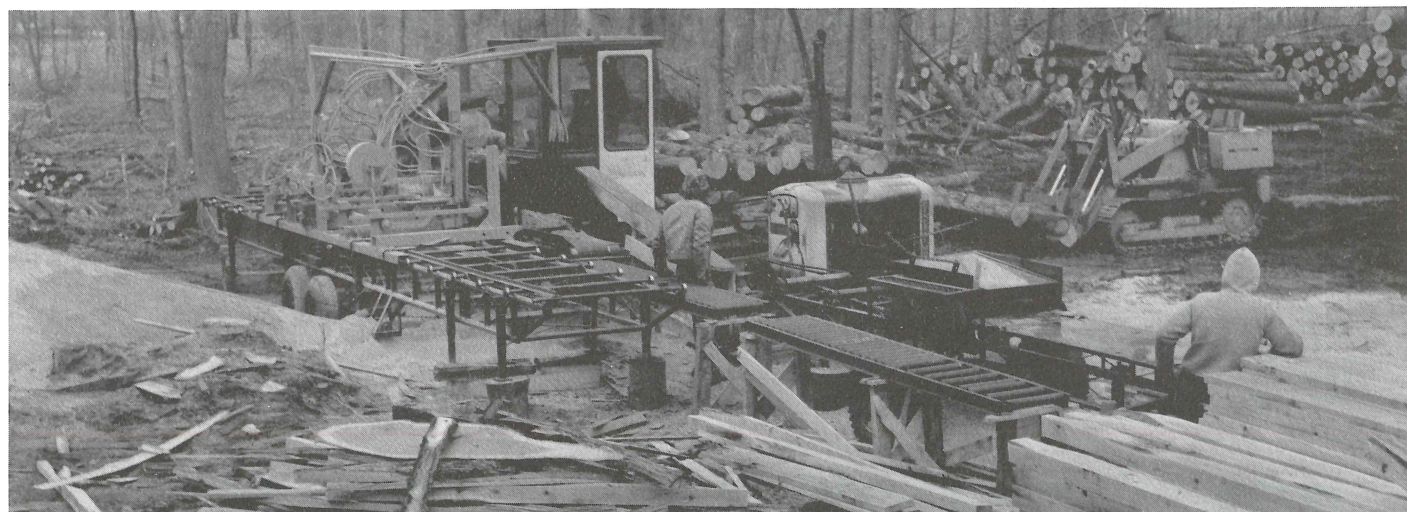
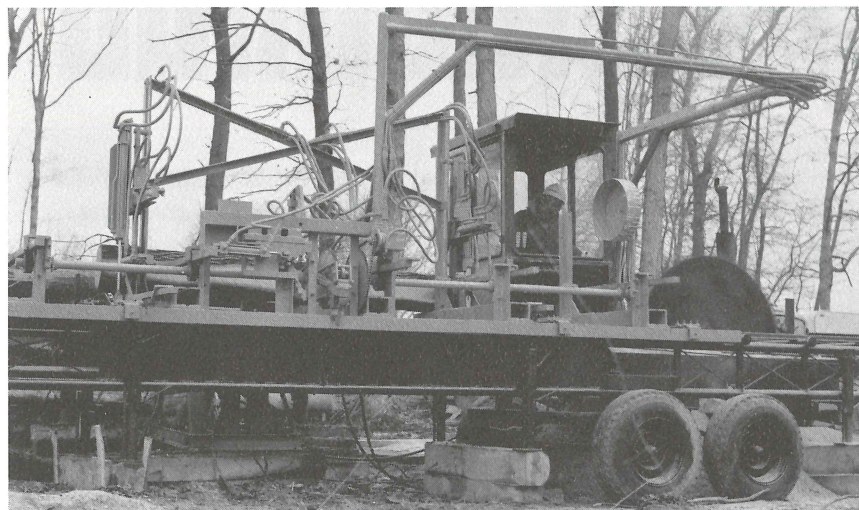


PORTABILITY REQUIRES -

- Rugged construction
- Simplified operation for remote areas
- Light weight for transportation
- Minimum labor force
- Versatility to adapt to all situations

COMPLETE OPERATIONS

Many options are available which allow for putting together complete portable sawmill operations, sawing, edging, trimming and piling.



**Any Place Logs Are To Be Sawed Into Lumber
That's The Place For A Lumber Harvester**

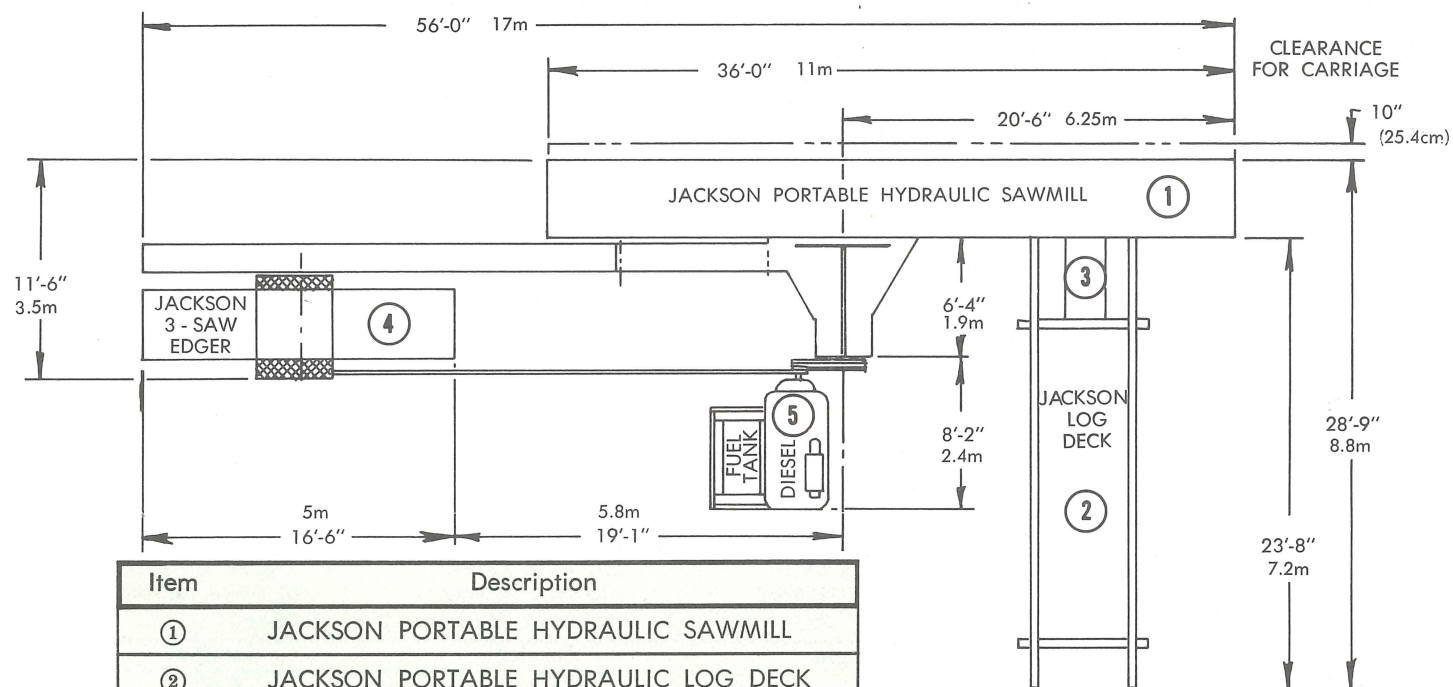


MANY OPTIONS AND FEATURES AVAILABLE: Such as Sawyer's cab, 2 or 3 strand log decks, right hand or left hand set-ups.

FULL VIEW BY OPERATOR: The Sawyer's control station provides a full view of the entire operation by the Sawyer.

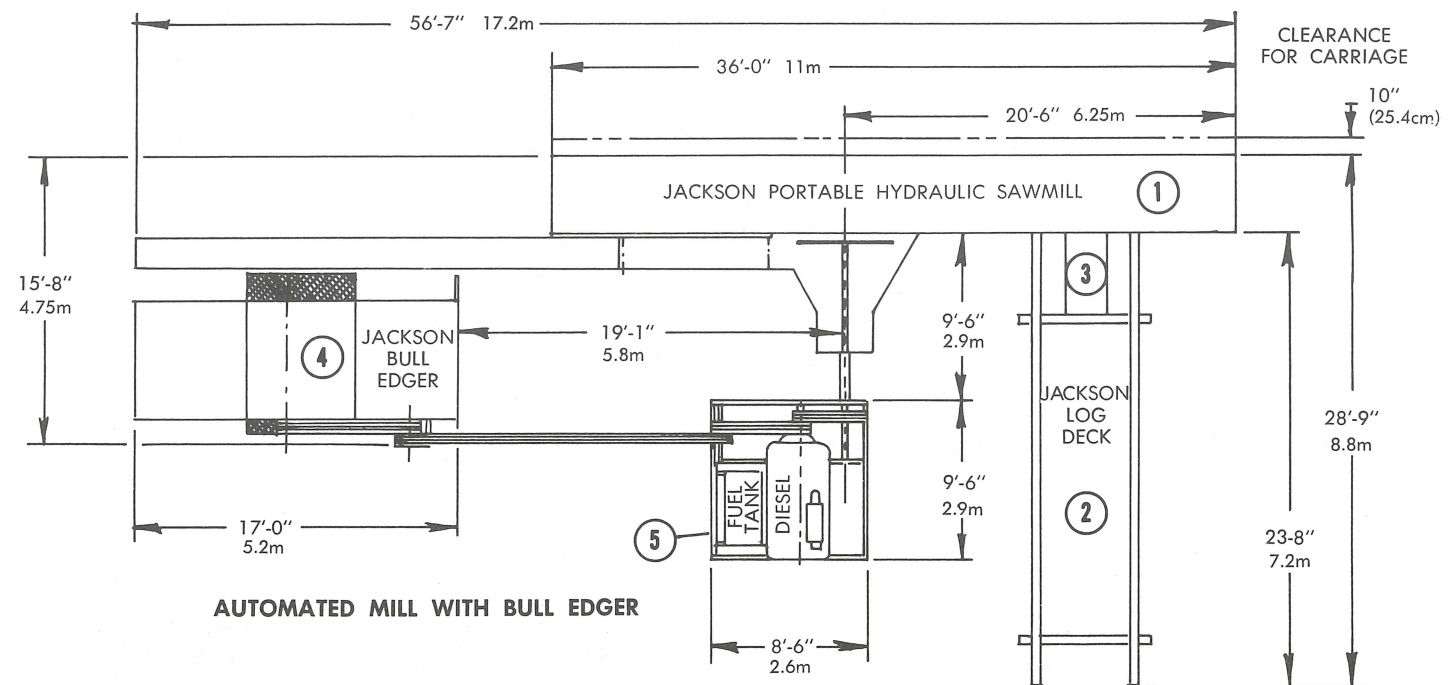
WHERE CAN THE LUMBER HARVESTER BE USED?
Selective logging operations, salvage logging, land clearing, custom sawing, stationary mill set-ups, etc.

SOME TYPICAL LAYOUTS OF THE **Jackson LUMBER HARVESTER** **PORTABLE HYDRAULIC SAWMILL**



Item	Description
①	JACKSON PORTABLE HYDRAULIC SAWMILL
②	JACKSON PORTABLE HYDRAULIC LOG DECK
③	JACKSON HYDRAULIC LOG TURNER
④	JACKSON PORTABLE 3 - SAW EDGER
⑤	DIESEL DRIVE PACKAGE

AUTOMATED MILL WITH EDGER



AUTOMATED MILL WITH BULL EDGER